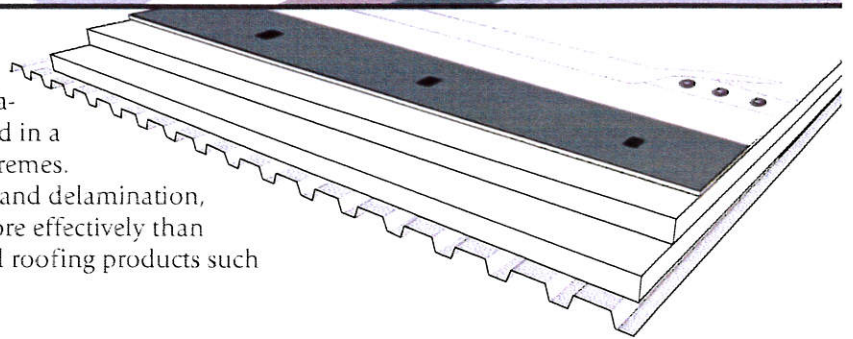


DensDeck® Roof Boards

As part of our Duro-Guard program, Duro-Last is pleased to offer DensDeck® roof boards from Georgia-Pacific. DensDeck® roof boards have been installed in a complete range of roofing systems and climate extremes. The unique composition has been shown to withstand delamination, deterioration, warping, and job site damage far more effectively than paper-faced gypsum board and other conventional roofing products such as wood fiberboard and perlite.



DensDeck® roof boards:

- Provide superior fire protection.
- Are fire, rot, and hail resistant.
- Hold up well during normal construction and maintenance.
- Are ideal for direct membrane application.

DensDeck® Roof Board

- Specially treated gypsum core, reinforced with glass fibers with glass mats on the front and back surfaces.
- Provides excellent fire resistance and wind uplift properties.
- Can be used as a fire barrier, thermal barrier, cover board, and recovery board.
- Applications include single-ply roofing systems, BUR, and metal roofing systems.

DensDeck® Prime Roof Board

- Specially treated gypsum core, with glass mats on the front and back surfaces, enhanced with a green-colored, non-asphaltic coating to allow adhesive to be spread more uniformly.
- Applications include single-ply roofing systems and metal roofing systems.

Product Description

Duro-Guard® ISO and EPS Insulation panels are available in a variety of products for use with Duro-Last Roofing Systems®, providing high Long-Term Thermal Resistance (LTTR) values. Duro-Guard insulation panels contain no CFCs or HCFCs; have Zero Ozone Depleting Potential (ODP); are EPA compliant; and have virtually no Global Warming Potential (GWP).

Problem	Solution	Benefit
Drainage	Any tapered system; ISO, EPS or Hybrid	Provides roof slope while achieving R-value and cost effectiveness.
Labor Cost	Hybrid or HD board	Simplified assembly that will eliminate handling of multiple layers. Higher R-value and fire rating will be achieved.
High Traffic Areas	DensDeck® or HD Composite	High compressive strength that will maintain the integrity of the insulation below. Will maintain dimensional stability.
Thermal Resistance (R-value)	ISO or EPS	ISO: Highest R-value per inch thickness. EPS: Highest R-value per square foot per dollar.
Solar Photovoltaic (PV) Systems	DensDeck® or HD Composite	High compressive strength that will maintain the integrity of the insulation below. Will maintain dimensional stability.
Wind Uplift (Fully Adhered)	ISO HP	Enhanced wind uplift for fully adhered applications.
Fire Rating	DensDeck®, ISO III CG, ISO HP, EPS Fiberglass Facer	Robust collection of fire rated assemblies.
Hail	DensDeck® or HD Composite	High compressive strength that will maintain the integrity of the insulation below. Will maintain dimensional stability. Qualifies for Duro-Last hail warranty.
Recover Applications	DensDeck®, ISO HD, EPS Fanfold	Compatibility with various substrates.